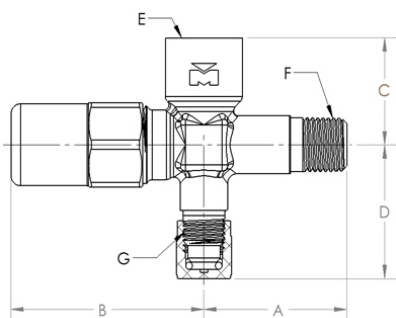




**Features:**

- Design Pressure (DP) / Maximum abnormal pressure (MAP): 2031 psi, 140 bar
- Continuous operating temperature (COT): -40°F/300°F, -40°C/149°C
- Contact factory or visit website for compatibility with R744
- UL/cUL Recognized, Conforms to EU Pressure Equipment Directive and UK Pressure Equipment Regulation
- Forged brass body
- Corrosion resistant stem suitable for refrigerants and other industrial fluids
- Double O-ring stem sealing design
- Dual O-Ring design offers increased cycle life and decreased maintenance
- Designed for increased flow



**NPTFI x NPTFE**

Part Number	A		B		C		D		E NPTFI	F NPTFE	G	Standard Seal Cap Material *	Replacement Seal Cap Brass *	Wt	
	in	mm	in	mm	in	mm	in	mm	in	in	in			lb	kg
AV3X-FK27D **	1.50	38	2.02	51	1.03	26	1.25	32	1/8	1/4	1/4	Brass	A 16474	0.47	0.21
AV3X-FL23A	1.50	38	2.02	51	1.03	26	1.35	34	1/4	1/4	1/4	Brass	A 16474	0.44	0.20
AV3X-FL23D **	1.50	38	2.02	51	1.03	26	1.35	34	1/4	1/4	1/4	Brass	A 16474	0.45	0.20

**NPTFI x ODS**

Part Number	A		B		C		D		E NPTFI	F ODS	G	Standard Seal Cap Material *	Replacement Seal Cap Brass *	Wt	
	in	mm	in	mm	in	mm	in	mm	in	in	in			lb	kg
AV3X-RK23H **	1.50	38	2.02	51	1.03	26	1.32	34	1/8	1/4	1/4	Brass	A 16474	0.46	0.21
AV3X-RL23H **	1.50	38	2.02	51	1.03	26	1.32	34	1/4	1/4	1/4	Brass	A 16474	0.45	0.20
AV3X-NK27H **	1.50	38	2.02	51	1.03	26	1.25	32	1/8	3/8	1/4	Brass	A 16474	0.46	0.21
AV3X-NL23H **	1.50	38	2.02	51	1.03	26	1.32	34	1/4	3/8	1/4	Brass	A 16474	0.46	0.21

\* Brass cap includes copper gasket

\*\* Includes valve core