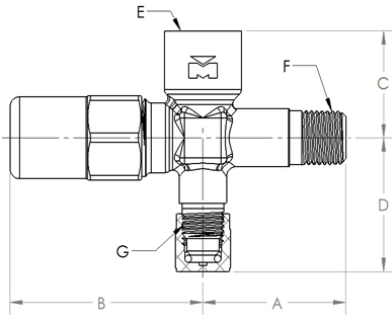




Features:

- Design Pressure (DP) / Maximum abnormal pressure (MAP): 900 psig, 62 bar
- Continuous operating temperature (COT): -40°F/300°F, -40°C/149°C
- Contact factory or visit website for compatibility with CFC, HCFC, HFC and HFO refrigerants and oils and sub-critical CO2 (R744)
- UL/cUL Recognized, Conforms to EU Pressure Equipment Directive and UK Pressure Equipment Regulation
- Forged brass body
- Corrosion resistant stem suitable for refrigerants and other industrial fluids
- Double O-ring stem sealing design
- Dual O-Ring design offers increased cycle life and decreased maintenance
- Designed for increased flow

Double O-Ring Stem Seal



NPTFI x NPTFE

Part Number	A		B		C		D		E NPTFI	F NPTFE	G	Standard Seal Cap Material *	Replacement Seal Cap		Wt		Previous Design Reference
	in	mm	in	mm	in	mm	in	mm	in	in	in		Brass *	Brass *	Plastic	lb	
AV3H-FK25D **	1.50	38	2.02	51	1.03	26	1.25	32	1/8	1/4	1/4	Brass	A 16474	P 34627	0.45	0.20	B 34254

NPTFI x ODS

Part Number	A		B		C		D		E NPTFI	F ODS	G	Standard Seal Cap Material *	Replacement Seal Cap		Wt		Previous Design Reference
	in	mm	in	mm	in	mm	in	mm	in	in	in		Brass *	Brass *	Plastic	lb	
AV3H-NK25J **	1.50	38	2.02	51	1.03	26	1.25	32	1/8	3/8	1/4	Brass	A 16474	P 34627	0.45	0.20	B 35162

* Brass cap includes copper gasket

** Includes valve core