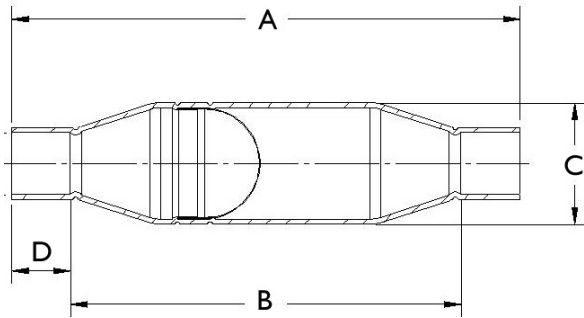




Features:

- Design Pressure (DP) / Maximum abnormal pressure (MAP): 700 psig, 48 bar
- Continuous operating temperature (COT): -40°F/300°F, -40°C/149°C
- Contact factory or visit website for compatibility with CFC, HCFC, HFC and HFO refrigerants and oils
- UL/cUL Listed, Conforms to EU Pressure Equipment Directive and UK Pressure Equipment Regulation



Part Number	Size		A		B		C		D		Internal Assembly Volume	Screen Mesh	Screen Area	Filtration Capacity	Wt	
	in	mm	in	mm	in	mm	in	mm	in	mm					lb	kg
A 18025	3/8	3/8	3.12	79	2.50	64	0.75	19	0.31	8	0.79	100	.4	175	0.06	0.03