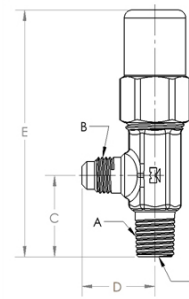
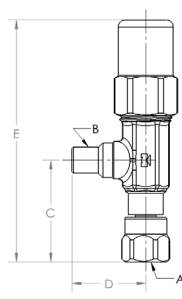
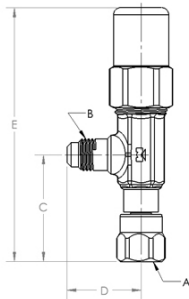




Características:

- Presión de diseño (DP) / presión máxima anormal (MAP): 900 psi, 62 bar
- Rango de temperatura de operación (COT): -40°F/300°F, -40°C/149°C
- Comuníquese con la fábrica o visite el sitio web para conocer la compatibilidad con refrigerantes y aceites CFC, HCFC, HFC y HFO y CO2 subcrítico (R744)
-
- Cuerpo de metal forjado
- Vástago resistente a la corrosión apto para refrigerantes y otros líquidos industriales no corrosivos al bronce y acero
- Diseño de sellado de vástago con junta tórica doble
- El diseño de doble junta tórica ofrece una mayor vida útil y un menor mantenimiento
- Diseñado para aumentar el flujo



Pieza giratoria interna FI x FI

Pieza giratoria interna FI x ODS

NPTFE/Conexión roscada

Pieza giratoria interna FI x FI

| Número de parte | Flare A in | Flare B in | C | | D | | E | | Torque | | | | Cubierta del estándar * | Cubierta de sello de reemplazo | | Peso | |
|-----------------|---------------|---------------|------|----|------|----|------|----|---------------------|---------|-------------------------------|---------|-------------------------|--------------------------------|---------|------|------|
| | | | in | mm | in | mm | in | mm | Pack Gland ft-lb | N-m | Ensamble de tapa ft-lb N-m | | | Bronce * | Plastic | lb | kg |
| AV1H-XA21A | 1/4 | 1/4 | 1.47 | 37 | 1.06 | 27 | 3.50 | 89 | 8 - 12 | 11 - 16 | 20 - 30 | 27 - 41 | Brass | A 16474 | P 34627 | 0.34 | 0.15 |
| AV1H-XA11A | 1/4 | 1/4 | 1.47 | 37 | 1.06 | 27 | 3.90 | 99 | 8 - 12 | 11 - 16 | Finger Tight | | Plastic | A 16474 | P 34627 | 0.34 | 0.15 |
| AV1H-YA21A | 3/8 | 1/4 | 1.52 | 39 | 1.06 | 27 | 3.55 | 90 | 8 - 12 | 11 - 16 | 20 - 30 | 27 - 41 | Brass | A 16474 | P 34627 | 0.39 | 0.18 |
| AV1H-YB21A | 3/8 | 3/8 | 1.52 | 39 | 1.11 | 28 | 3.55 | 90 | 8 - 12 | 11 - 16 | 20 - 30 | 27 - 41 | Brass | A 16474 | P 34627 | 0.40 | 0.18 |
| AV1H-YB21D * | 3/8 | 3/8 | 1.52 | 39 | 1.11 | 28 | 3.55 | 90 | 8 - 12 | 11 - 16 | 20 - 30 | 27 - 41 | Brass | A 16474 | P 34627 | 0.40 | 0.18 |

* Bulk packed

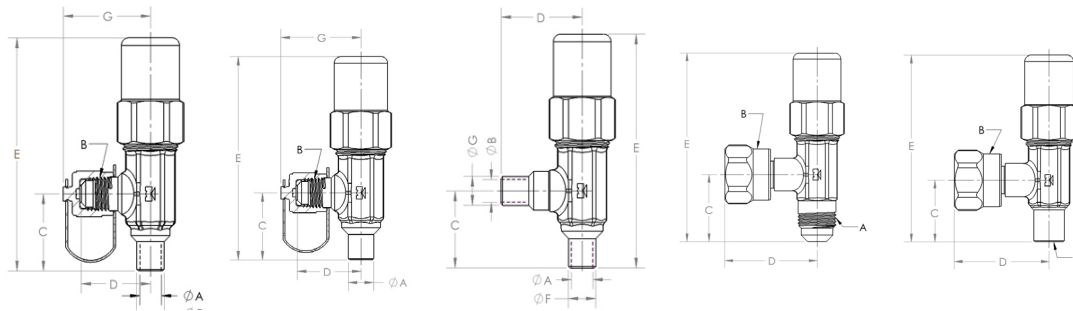
Pieza giratoria interna FI x ODS

| Número de parte | Flare A in | Flare B in | C | | D | | E | | Torque | | | | Cubierta del estándar * | Cubierta de sello de reemplazo | | Peso | |
|-----------------|---------------|---------------|------|----|------|----|------|----|---------------------|---------|-------------------------------|---------|-------------------------|--------------------------------|---------|------|------|
| | | | in | mm | in | mm | in | mm | Pack Gland ft-lb | N-m | Ensamble de tapa ft-lb N-m | | | Bronce * | Plastic | lb | kg |
| AV1H-XR21B | 1/4 | 1/4 | 1.47 | 37 | 1.06 | 27 | 3.50 | 89 | 8 - 12 | 11 - 16 | 20 - 30 | 27 - 41 | Brass | A 16474 | P 34627 | 0.34 | 0.15 |

NPTFE/Conexión roscada

| Número de parte | NPTFE A in | Flare B in | C | | D | | E | | Contrataladro Dim F | | | | Cubierta del estándar * | Cubierta de sello de reemplazo | | Peso | |
|-----------------|---------------|---------------|------|----|------|----|------|----|---------------------|----------------------|-----|------|-------------------------|--------------------------------|---------|------|------|
| | | | in | mm | in | mm | in | mm | Diámetro in mm | Profundidad in mm | in | mm | | Bronce * | Plastic | lb | kg |
| AV1H-FA21A | 1/4 | 1/4 | 1.00 | 25 | 0.94 | 24 | 3.02 | 77 | .254 | 6.45 | .31 | 7.87 | Brass | A 16474 | P 34627 | 0.33 | 0.15 |
| AV1H-FA21B | 1/4 | 1/4 | 1.00 | 25 | 0.94 | 24 | 3.02 | 77 | .254 | 6.45 | .31 | 7.87 | Brass | A 16474 | P 34627 | 0.33 | 0.15 |
| AV1H-FA23A | 1/4 | 1/4 | 1.00 | 25 | 0.94 | 24 | 3.02 | 77 | .254 | 6.45 | .31 | 7.87 | Brass | A 16474 | P 34627 | 0.33 | 0.15 |
| AV1H-GB21A | 1/4 | 3/8 | 1.06 | 27 | 1.11 | 28 | 3.08 | 78 | .317 | 8.05 | .31 | 7.87 | Brass | A 16474 | P 34627 | 0.32 | 0.14 |
| AV2H-HA21A | 3/8 | 1/4 | 1.12 | 28 | 1.06 | 27 | 3.14 | 80 | .379 | 9.63 | .31 | 7.87 | Brass | A 16474 | P 34627 | 0.33 | 0.15 |
| AV2H-HB21A | 3/8 | 3/8 | 1.12 | 28 | 1.11 | 28 | 3.14 | 80 | .379 | 9.63 | .31 | 7.87 | Brass | A 16474 | P 34627 | 0.33 | 0.15 |

* Bulk packed



Soldable/Extremo

FTG to Extremo

Soldadura a soldadura

Abocinado a abocardado giratorio interior

ODS a Int Swivel FI

Soldable/Extremo

| Número de parte ^ | Solder Flare | | C | D | | E | | F ODE | G To Cap | | Torque | | | | Cubierta del estándar * | Cubierta de sello de reemplazo Bronce * | Plastic | Peso | | |
|----------------------|--------------|-----|------|----|------|----|------|-------|----------|------|--------|--------|------------|------------------|-------------------------|--|---------|---------|------|-------|
| | A | B | | in | mm | in | mm | | in | mm | in | mm | Pack Gland | Ensamble de tapa | | | | ft-lb | N-m | ft-lb |
| AV1H-RA22B | 1/4^ | 1/4 | 1.00 | 25 | 0.94 | 24 | 3.02 | 77 | 3/8 | 1.18 | 30 | 8 - 12 | 11 - 16 | 20 - 30 | 27 - 41 | Brass | A 16474 | P 34627 | 0.30 | 0.14 |
| AV1H-RA22E * | 1/4^ | 1/4 | 1.00 | 25 | 0.94 | 24 | 3.02 | 77 | 3/8 | 1.16 | 29 | 8 - 12 | 11 - 16 | 20 - 30 | 27 - 41 | Brass | A 16474 | P 34627 | 0.30 | 0.14 |
| AV1H-RA24B | 1/4^ | 1/4 | 1.00 | 25 | 0.94 | 24 | 3.02 | 77 | 3/8 | 1.16 | 29 | 8 - 12 | 11 - 16 | 20 - 30 | 27 - 41 | Brass | A 16474 | P 34627 | 0.30 | 0.14 |
| AV1H-RA21B | 1/4^ | 1/4 | 1.00 | 25 | 0.94 | 24 | 3.02 | 77 | 3/8 | | | 8 - 12 | 11 - 16 | 20 - 30 | 27 - 41 | Brass | A 16474 | P 34627 | 0.30 | 0.14 |
| AV1H-SA22B | 3/8^ | 1/4 | 1.00 | 25 | 0.94 | 24 | 3.02 | 77 | 3/8 | 1.18 | 30 | 8 - 12 | 11 - 16 | 20 - 30 | 27 - 41 | Brass | A 16474 | P 34627 | 0.30 | 0.14 |
| AV1H-SA24B | 3/8^ | 1/4 | 1.00 | 25 | 0.94 | 24 | 3.02 | 77 | 3/8 | 1.16 | 29 | 8 - 12 | 11 - 16 | 20 - 30 | 27 - 41 | Brass | A 16474 | P 34627 | 0.30 | 0.14 |
| AV1H-SB26F * | 3/8^ | 3/8 | 1.00 | 25 | 1.11 | 28 | 3.02 | 77 | 1/2 | 1.50 | 38 | 8 - 12 | 11 - 16 | 20 - 30 | 27 - 41 | Brass | A 16474 | P 34627 | 0.38 | 0.17 |
| AV1H-SB26C | 3/8^ | 3/8 | 1.00 | 25 | 1.11 | 28 | 3.02 | 77 | 1/2 | 1.50 | 38 | 8 - 12 | 11 - 16 | 20 - 30 | 27 - 41 | Brass | A 16474 | P 34627 | 0.38 | 0.17 |
| AV1H-SB23C | 3/8^ | 3/8 | 1.00 | 25 | 1.11 | 28 | 3.02 | 77 | 1/2 | 1.27 | 32 | 8 - 12 | 11 - 16 | 20 - 30 | 27 - 41 | Brass | A 16474 | P 34627 | 0.38 | 0.17 |
| AV1H-SB13C | 3/8^ | 3/8 | 1.00 | 25 | 1.11 | 28 | 3.42 | 87 | 1/2 | 1.27 | 32 | 8 - 12 | 11 - 16 | Finger Tight | Plastic | A 16474 | P 34627 | 0.38 | 0.17 | |
| AV1H-TA24B | 1/2^ | 1/4 | 1.00 | 25 | 0.94 | 24 | 3.03 | 77 | 5/8 | 1.1 | 28 | 8 - 12 | 11 - 16 | 20 - 30 | 27 - 41 | Brass | A 16474 | P 34627 | 0.33 | 0.15 |
| AV2H-TB26B | 1/2^ | 3/8 | 1.00 | 25 | 1.11 | 28 | 3.03 | 77 | 5/8 | 1.5 | 38 | 8 - 12 | 11 - 16 | 20 - 30 | 27 - 41 | Brass | A 16474 | P 34627 | 0.39 | 0.18 |

^ 1/4 Solder also 3/8 FTG. 3/8 Solder also 1/2 FTG.

* Bulk packed

FTG to Extremo

| Número de parte ^ | FTG Flare | | C | D | | E | | F ODE | G To Cap | | Torque | | | | Cubierta del estándar * | Cubierta de sello de reemplazo Bronce * | Flare Cap Material | Peso | | |
|----------------------|-----------|-----|------|----|------|----|------|-------|----------|------|--------|--------|------------|------------------|-------------------------|--|--------------------|-------|------|-------|
| | A | B | | in | mm | in | mm | | in | mm | in | mm | Pack Gland | Ensamble de tapa | | | | ft-lb | N-m | ft-lb |
| AV1H-UA14B | 3/8 | 1/4 | 1.03 | 26 | 0.94 | 24 | 3.42 | 87 | 3/8 | 1.18 | 30 | 8 - 12 | 11 - 16 | Finger Tight | Plastic | A 16474 | P 34627 | Brass | 0.26 | 0.12 |
| AV1H-UA14E | 3/8 | 1/4 | 1.03 | 26 | 0.94 | 24 | 3.42 | 87 | 3/8 | 1.18 | 30 | 8 - 12 | 11 - 16 | Finger Tight | Plastic | A 16474 | P 34627 | Brass | 0.26 | 0.12 |

* Bulk packed

Soldadura a soldadura

| Número de parte ^ | Solder Flare | | C | D | | E | | F ODE | G ODE | Torque | | | | Cubierta del estándar * | Cubierta de sello de reemplazo Bronce * | Plastic | Peso | | |
|----------------------|--------------|------|------|----|------|----|------|-------|-------|--------|--------|------------|------------------|-------------------------|--|---------|---------|------|-------|
| | A | B | | in | mm | in | mm | | | in | mm | Pack Gland | Ensamble de tapa | | | | ft-lb | N-m | ft-lb |
| AV1H-RR21B | 1/4^ | 1/4^ | 1.00 | 25 | 1.11 | 28 | 3.02 | 77 | 3/8 | 3/8 | 8 - 12 | 11 - 16 | 20 - 30 | 27 - 41 | Brass | A 16474 | P 34627 | 0.30 | 0.14 |
| AV1H-SS21B | 3/8^ | 3/8^ | 1.00 | 25 | 1.11 | 28 | 3.02 | 77 | 1/2 | 1/2 | 8 - 12 | 11 - 16 | 20 - 30 | 27 - 41 | Brass | A 16474 | P 34627 | 0.30 | 0.14 |

* Brass cap includes copper gasket

Abocinado a abocardado giratorio interior

| Número de parte ^ | Flare Swivel | | C | D | | E | | Torque | | | | Cubierta del estándar * | Cubierta de sello de reemplazo Bronce * | Plastic | Peso | | |
|----------------------|--------------|-----|------|----|------|----|------|--------|--------|------------|------------------|-------------------------|--|---------|---------|------|-------|
| | A | in | | in | mm | in | mm | in | mm | Pack Gland | Ensamble de tapa | | | | ft-lb | N-m | ft-lb |
| AV1H-BY21A | 3/8 | 3/8 | 1.12 | 28 | 1.53 | 39 | 3.14 | 80 | 8 - 12 | 11 - 16 | 20 - 30 | 27 - 41 | Brass | A 16474 | P 34627 | 0.41 | 0.18 |

ODS a Int Swivel FI

| Part Number ^ | Solder Swivel | | C | D | | E | | Torque | | | | Cubierta del estándar * | Cubierta de sello de reemplazo Bronce * | Plastic | Peso | | |
|------------------|---------------|-----|------|----|------|----|------|--------|--------|------------|------------------|-------------------------|--|---------|---------|------|-------|
| | A | in | | in | mm | in | mm | in | mm | Pack Gland | Ensamble de tapa | | | | ft-lb | N-m | ft-lb |
| AV1H-SY21B | 3/8 | 3/8 | 1.00 | 25 | 1.53 | 39 | 3.02 | 77 | 8 - 12 | 11 - 16 | 20 - 30 | 27 - 41 | Brass | A 16474 | P 34627 | 0.38 | 0.17 |