

Design Release

Date: August 8, 2019

Reference: Design Improvement

Product Line: 3/8" Packless Diaphragm Valves supplied by Mueller Refrigeration Hartsville

In response to evolving market demands requiring refrigeration and air conditioning components become more seamlessly integrated into new space saving equipment designs while improving overall performance and functionality, Mueller Refrigeration has enhanced the design of their 3/8" Packless Diaphragm Valves to meet these industry challenges.

Using the latest computer-aided engineering design modeling and analysis software, Mueller Refrigeration has been able to reduce the overall footprint of these Diaphragm valves, while increasing maximum abnormal pressure from 700 psi (48 bar) to 775 psig (53 bar).

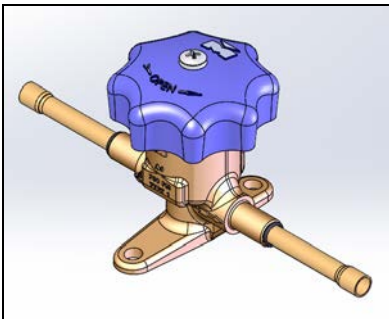
Enhanced design features include:

- No changes to internals, replacement components, etc.
- No change to the flow path and the flow performance of the valve.
- All part numbers (except AA14850C) still include a bracket with holes to allow for mounting to panel or surface.
- The stainless steel bracket is now removable.
- Design Pressure/ Maximum Abnormal Pressure (MAP): 775 psig (53 bar)

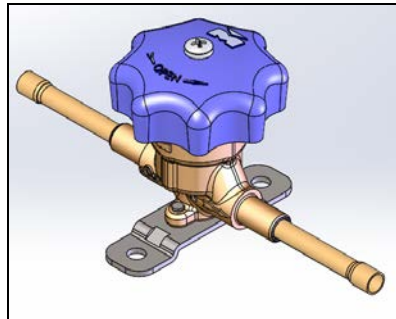
Packless Diaphragm Valves are rated at a continuous operating temperature (COT) of: -40°F/ 300°F (-40°C/ 149°C), are UL/cUL Listed, and conforms to Pressure Equipment Directive 2014/68/EU.

For specific application questions or assistance with product selections, please contact your local Mueller Refrigeration sales representative or authorized distributor.

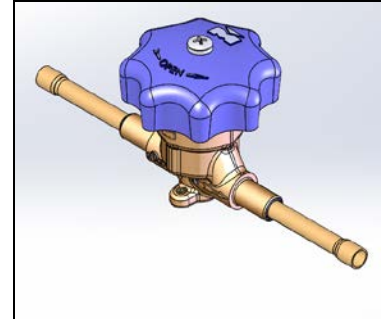
Previous Design



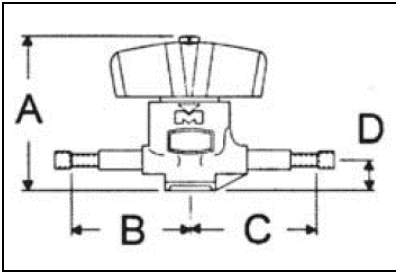
Redesign



AA14850C, without brackets, screws



Solder to Solder Extended Ends



PART NO.	SIZE	A Open				B				C				D				Wt.			
		Previous Design		Redesign		Previous Design		Redesign		Previous Design		Redesign		Previous Design		Redesign		Previous Design		Redesign	
		in	mm	in	mm	in	mm	in	mm	in	mm	in	mm	in	mm	in	mm	in	mm	lb	kg
A 14850C	3/8	2.70	69	2.70	69	2.82	72	2.82	72	2.88	73	2.88	73	0.62	16	0.62	16	0.62	0.28	0.53	0.24
AA14850C	3/8	2.70	69	2.50	64	2.82	72	2.82	72	2.88	73	2.88	73	0.62	16	0.42	11	0.62	0.28	0.48	0.22
B 35558	3/8	2.70	69	2.70	69	2.82	72	2.82	72	2.88	73	2.88	73	0.62	16	0.62	16	0.60	0.27	0.52	0.24