



Design Release

Date: March 21, 2025

Reference: Design Improvement

Product Line: CYCLEMASTER® Transcritical, 140 bar 3-Way Ball Valves

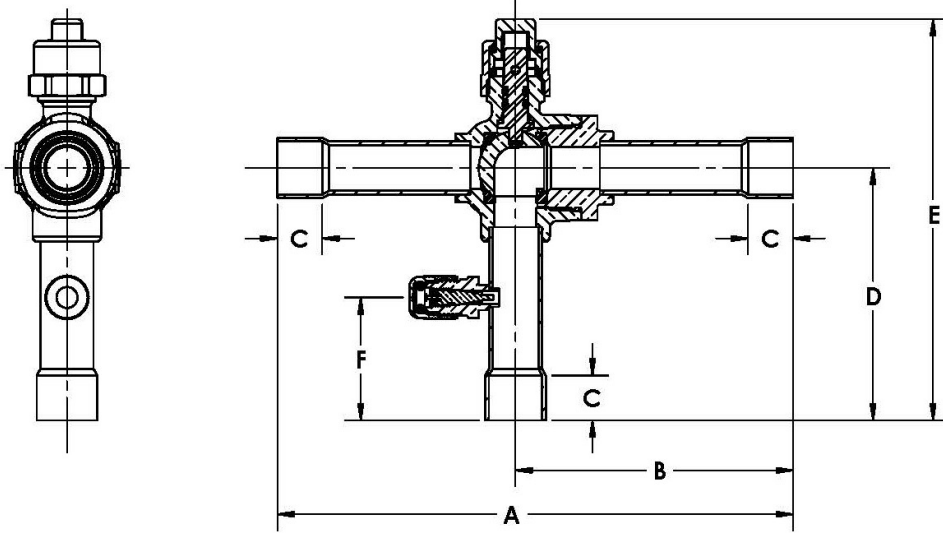
Mueller Refrigeration is announcing a change the Transcritical 3-Way CYCLEMASTER® Ball Valves. Valve sizes 3/8” through 1 1/8” will no longer include an access port, resulting in a change in part numbers.

CYCLEMASTER® Ball Valves are UL/cUL Listed, conform to the Pressure Equipment Directive 2014/68/EU.

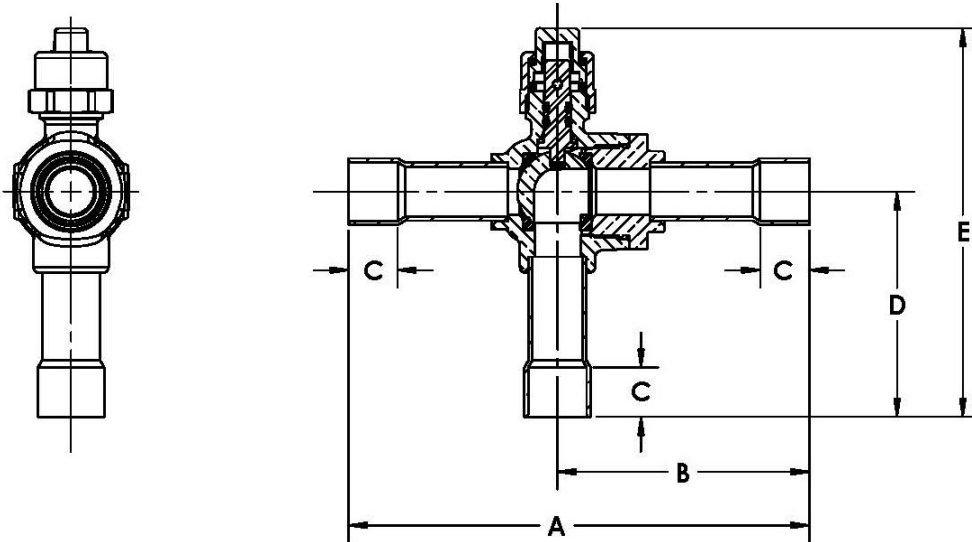
The change will be released in phases by valve size. All inventories will be depleted of the previous design before the redesigned product will be shipped. Inventory for select valves is expected to transition by May 2025 and the following dimensional changes will apply:

OLD Part Number	NEW Part Number	Size (in)	A (in)		B (in)		D (in)		E (in)	
			OLD	NEW	OLD	NEW	OLD	NEW	OLD	NEW
AU17860XHP	AT17860XHP	3/8	5.45	4.33	2.49	2.40	2.65	2.10	4.41	3.86
AU17861XHP	AT17861XHP	1/2	5.73	4.61	2.63	2.54	2.79	2.24	4.55	4.00
AU17862XHP	AT17862XHP	5/8	6.09	4.97	2.81	2.72	2.97	2.42	4.73	4.18
AU17863XHP	AT17863XHP	3/4	5.83	5.83	2.76	3.07	2.84	2.84	5.04	5.04
AU17864XHP	AT17864XHP	7/8	7.27	7.27	3.48	3.79	3.56	3.56	5.76	5.76
AU17865XHP	AT17865XHP	1 1/8	7.27	7.27	3.51	3.76	3.47	3.47	5.88	5.88

Previous Design



Redesigned



For specific application questions or assistance with product selections, please contact your local Mueller Refrigeration sales representative or authorized distributor.