

Actuator Heater Assembly

Installation Instructions

Product Description

The heater assembly provides protection for Series II, Series III and Series IV actuators in an outside low temperature application when used with enclosure assemblies.

Contents

Heater Element/ Thermostat

Product Numbers

- A 18366 Series II Heater Kit
- A 18367 Series III Heater Kit
- A 18367 Series IV Heater Kit (2 Required)

Warning/Caution Notations



Personal injury/loss of life may occur if a procedure is not performed as specified.



Equipment damage or loss of data may occur if the user does not follow a procedure as specified

Prerequisites



CAUTION:

- Heater assemblies are for use with 24Vac actuators only.
- Heater assembly must be used in conjunction with an enclosure.
- All actuators with auxiliary switches must have switch wiring routed through grounded conduit. Terminations must be in a UL approved Junction Box. See Figure 3.

Required Tools

1/4" power nut driver

Expected Installation Time

60 minutes

Heater Power Consumption

36 Watt (35 VA) maximum

For questions and details on the enclosure, see enclosure manufacturer installation instructions.



Actuator Heater Assembly

Installation Instructions

Installation

1. Assemble enclosure.
2. Mount heater thermostat inside enclosure. See Figure 2.
3. Remove paper-backing strip from heater element.
4. With the front of the actuator facing you, affix the heater element to upper housing of the actuator on the right side. See Figure 2. No wire polarity is required for heater or thermostat.
5. Wire heater and thermostat. See Figure 1.
6. Assemble actuator per instructions.
7. Dress wires using provided wraps.
8. Finish enclosure installation.

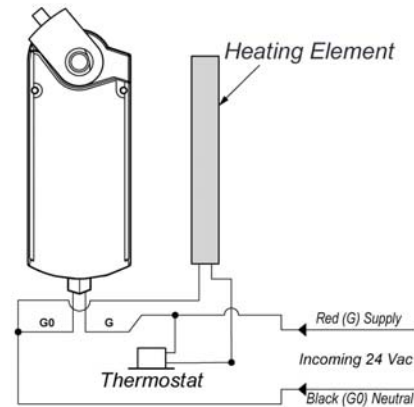


Figure 1. Wiring Diagram

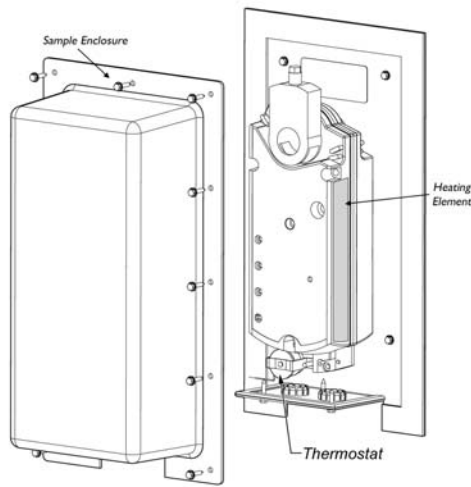


Figure 2. Heating Element Mounting Position

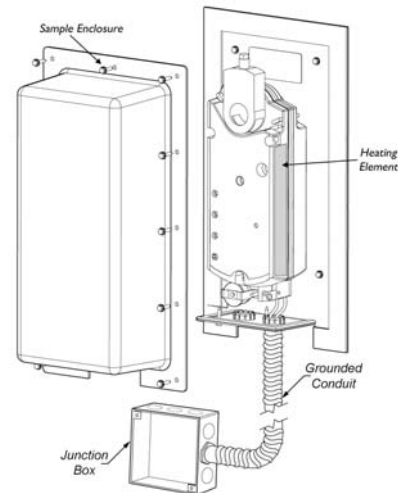


Figure 3. Heating Element Mounting Position

Operation

- Thermostat control: Heater turns on when ambient temperature drops to $-10 \pm 5^\circ\text{F}$ (-9.4 to -15°C)
- Heater assembly guarantees proper actuator operation to -58°F (-50°C), when used with an enclosure.

Troubleshooting

In the event of prolonged power outage and temperatures below -25°F :

- Once power is restored, it may take up to one hour for necessary temperature rise.
- Actuator power must be cycled off and on to allow resumption of the normal operating mode.

If heating element or thermostat become inoperable, replace with appropriate heater kit.

