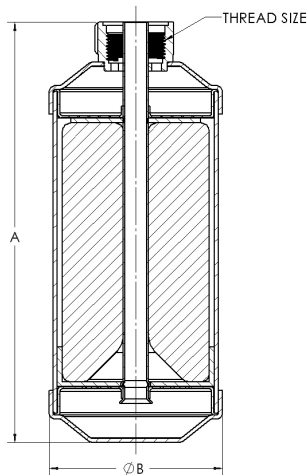




Features:

- Design Pressure (DP) / Maximum abnormal pressure (MAP): 700 psig
- Maximum working temperature: 160°F/70°C
- Compatible with all CFC, HCFC, HFC and HFO refrigerants and oils and refrigerants requiring XH-11 desiccant
- UL/cUL Recognized, Conforms to EU Pressure Equipment Directive and UK Pressure Equipment Regulation
- Solid core design
- High retention filter for particulate removal
- High pressure shell and connections
- Powder paint finish approved for marine applications
- Stainless steel threaded connection for corrosion resistance
- For use with SGM moisture indicator (sold separately)

TSD Series



Part Number	Model	Des. Cu. In	Thread Size (in)	A (in)	B (in)	Wt (lb)	Liquid Capacity (tons)			Water Capacity (drops)					
							R134a	R410A R448A R449A	R404A, R507	R134A		R410A, R448A, R449A		R404A, R507	
										75°F	125°F	75°F	125°F	75°F	125°F
A 19373	TSD-10	10	7/8"-20UNEF-2B	4.53	2.63	1.74	5.0	5.7	3.8	155	108	154	108	230	160
A 19215	TSD-20	20	7/8"-20UNEF-2B	6.42	2.63	1.81	5.2	5.9	3.9	309	216	308	216	460	320
A 19216	TSD-30	30	7/8"-20UNEF-2B	8.39	2.63	2.38	5.5	6.1	4.1	495	336	495	336	736	512