



Features:

- Continuous operating temperature (COT): -40°F/300°F, -40°C/149°C
- Contact factory or visit website for compatibility with CFC, HCFC, HFC and HFO refrigerants and oils
- Conforms to Pressure Equipment Directive 2014/68/EU Category 4 Product, Certified to meet ASME Code
- Wide range of pressure settings available
- One-piece brass design assures setting accuracy
- Non-fragmenting disc

ASME Code

Guidelines for the application of Rupture Disc Devices in combination with pressure relief valves is provided by ASME Code. The following is an excerpt from the ASME Code, Section VIII, Division I, UG-127.

A rupture disc device may be installed between a pressure relief valve and the vessel provided:

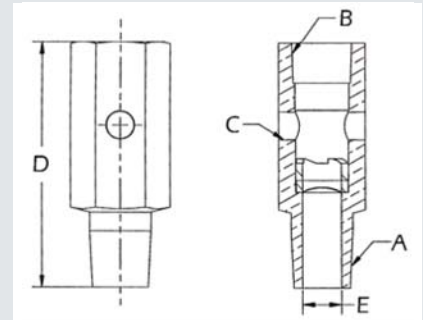
The marked capacity of a pressure relief valve, when installed with a rupture disc device between the inlet of the valve and the vessel, shall be multiplied by a factor of 0.90 of the rated relieving capacity of the valve alone.

The space between a rupture disc device and a pressure relief valve shall be provided with a pressure gage, or suitable telltale indicator. This arrangement permits detection of disc rupture or leakage.

Users are warned that a rupture disc will not burst at its design pressure if back pressure build up in the space between the disc and the pressure relief valve which will occur should leakage develop in the rupture disc due to corrosion or other cause.

Part Number *	A NPTFE (in)	B NPTFI (in)	C NPT (in)	D (in)	D (mm)	E (in)	E (mm)	Wt (lb)	Wt (kg)
A 17971	1/2	1/2	1/8	3	71	1	13	0.51	0.23

Prefix	PSIG	Bar
D	235	16
E	300	21
G	350	24
H	400	28
I	425	29
J	450	31



Pressure Gauge

P 36214

