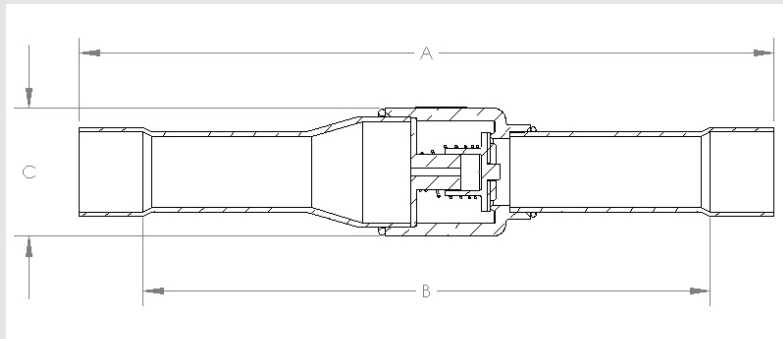




Features:

- Continuous operating temperature (COT): -40°F/300°F, -40°C/149°C
- Contact factory or visit website for compatibility with CFC, HCFC, HFC and HFO refrigerants and oils
- UL/cUL Recognized, Conforms to Pressure Equipment Directive 2014/68/EU
- Enhanced internal design for maximum flow and minimum pressure drop
- Design Pressure (DP) / Maximum abnormal pressure (MAP): Charted below



Part Number	Size ODS		Cv	Kv	ΔP psi	A		B		C		Wt		MAP	
	in	mm				in	mm	in	mm	lb	kg				
A 18720	1/4	6	0.70	0.61	1	3.62	92	3.00	76	0.71	18	0.11	0.05	1305	
A 18721	3/8	10	1.40	1.21	1	4.29	109	3.60	91	0.71	18	0.12	0.05	1305	
A 18722	1/2	13	2.71	2.34	.75	5.15	131	4.28	109	0.85	22	0.16	0.07	1305	
A 18723	5/8	17	4.10	3.55	.75	5.43	138	4.43	113	1.00	25	0.22	0.10	1000	
A 18838	3/4	19	8.76	7.58	.75	7.01	178	5.86	149	1.34	34	0.43	0.19	1000	
A 18724	7/8	22	9.19	7.95	.75	6.50	165	5.25	133	1.34	34	0.42	0.19	1000	
AH18720	*	1/4	6	0.70	0.61	4.4	3.62	92	3.00	76	0.71	18	0.12	0.05	1305
AH18721	*	3/8	10	1.40	1.21	4.4	4.29	109	3.60	91	0.71	18	0.12	0.05	1305
AH18722	*	1/2	13	2.71	2.34	4.4	5.15	131	4.28	109	0.85	22	0.17	0.07	1305
AH18723	*	5/8	17	4.10	3.55	4.4	5.43	138	4.43	113	1.00	25	0.29	0.13	1000
AH18838	*	3/4	19	8.76	7.58	4.4	7.01	178	5.86	149	1.34	34	0.43	0.19	1000
AH18724	*	7/8	22	9.19	7.95	4.4	6.50	165	5.25	133	1.34	34	0.43	0.19	1000