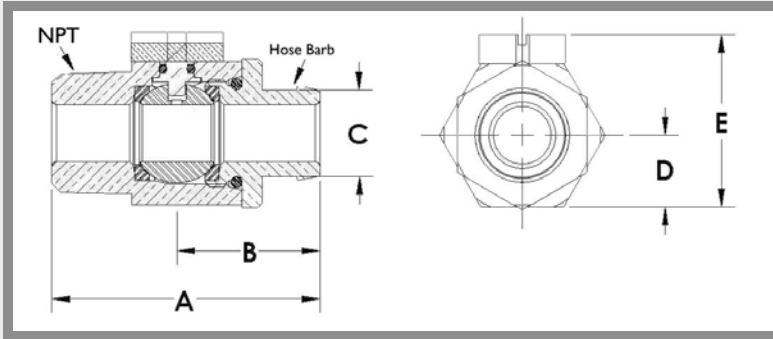


## Oil Drain



**Features:**

- Maximum working pressure (PS): 700 psig, 48 bar
- Working temperature range (TS): -40°F/300°F, -40°C/149°C
- Brass and stainless steel construction
- Compatible with most fluids
- Quarter turn operation for positive shutoff
- Designed for maximum flow and minimum pressure drop



Part Number	Size		A		B		C		D		E		Wt	
	in	mm	in	mm	in	mm	in	mm	in	mm	in	mm	lb	kg
AA18060C	3/4	19	2.34	59	1.25	32	0.75	19	0.63	16	1.50	38	0.54	0.24