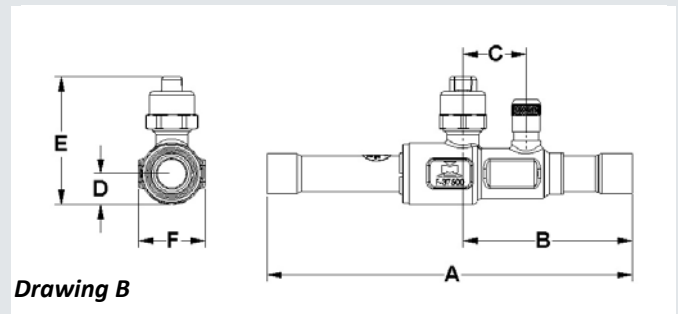
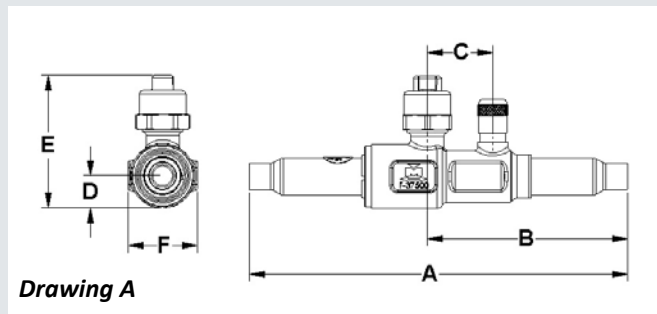


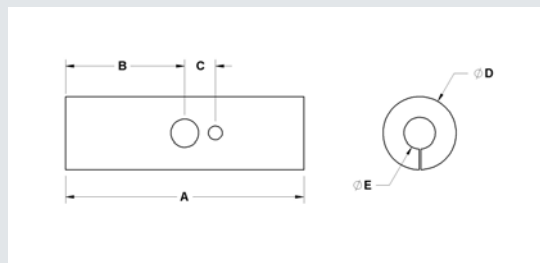


### Features:

- Design Pressure (DP) / Maximum abnormal pressure (MAP): 775 psig, 53 bar
- Continuous operating temperature (COT): -40°F/300°F, -40°C/149°C
- Contact factory or visit website for compatibility with CFC, HCFC, HFC and HFO refrigerants and oils
- Full port construction to match line size ID
- Internally equalized ball design
- Rupture-proof encapsulated stem
- MCM Seal Technology
- UL/cUL Listed, Conforms to Pressure Equipment Directive 2014/68/EU



Valve Part Number	Valve Insulation Kit Part Number	Size		A		B		C		D		E		F		Wt		Drawing
		in	mm	in	mm	in	mm	in	mm	in	mm	in	mm	in	mm	lb	kg	
A 18937	A 18571U	1/4	6	6.35	161	3.36	85	1.10	28	0.54	14	2.23	57	1.16	29	0.60	0.27	A
A 18938	A 18572U	3/8	10	6.35	161	3.36	85	1.10	28	0.54	14	2.23	57	1.16	29	0.62	0.28	A
A 18939	A 18573U	1/2	13	6.35	161	2.94	75	1.10	28	0.54	14	2.23	57	1.16	29	0.61	0.28	A
A 18940	A 18574U	5/8	17	6.35	161	2.94	75	1.10	28	0.54	14	2.23	57	1.16	29	0.61	0.27	B



Insulation Part No.	A (in)	B (in)	C (in)	D (in)	E (in)	Thickness (in)	Wt(lb)
MSBVINSCEN	8.56	4.28	1.10	2.63	1.13	0.75	0.02