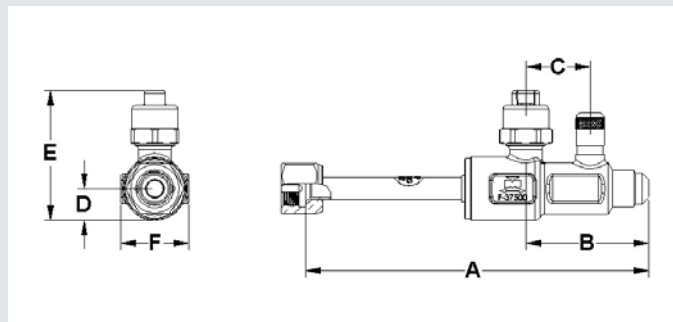


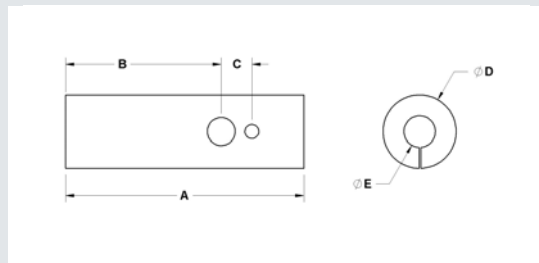


Features:

- Design Pressure (DP) / Maximum abnormal pressure (MAP): 775 psig, 53 bar
- Continuous operating temperature (COT): -40°F/300°F, -40°C/149°C
- Contact factory or visit website for compatibility with CFC, HCFC, HFC and HFO refrigerants and oils
- Full port construction to match line size ID
- Internally equalized ball design
- Rupture-proof encapsulated stem
- MCM Seal Technology
- UL/cUL Listed, Conforms to Pressure Equipment Directive 2014/68/EU



Valve Part Number	Valve Insulation Kit Part Number	Size		A		B		C		D		E		F		Wt	
		in	mm	in	mm	in	mm	in	mm	in	mm	in	mm	in	mm	lb	kg
A 18945	A 18567U	1/4	6	5.86	149	2.05	52	1.10	28	0.54	14	2.23	57	1.16	29	0.62	0.28
A 18946	A 18568U	3/8	10	5.86	149	2.10	53	1.10	28	0.54	14	2.23	57	1.16	29	0.69	0.31
A 18947	A 18569U	1/2	13	5.98	152	2.21	56	1.10	28	0.54	14	2.23	57	1.16	29	0.76	0.34
A 18948	A 18570U	5/8	17	5.98	152	2.28	58	1.10	28	0.54	14	2.23	57	1.16	29	0.84	0.38
A 18949	A 18652U	3/8 F X 1/4 M		5.81	148	2.05	52	1.10	28	0.54	14	2.23	57	1.16	29	0.68	0.31
A 18950	A 18653U	5/8 F X 1/2 M		5.91	150	2.21	56	1.10	28	0.54	14	2.23	57	1.16	29	0.82	0.37



Insulation Part No.	A (in)	B (in)	C (in)	D (in)	E (in)	Thickness (in)	Wt(lb)
MSBVINS	8.56	6.56	1.10	2.63	1.13	0.75	0.10