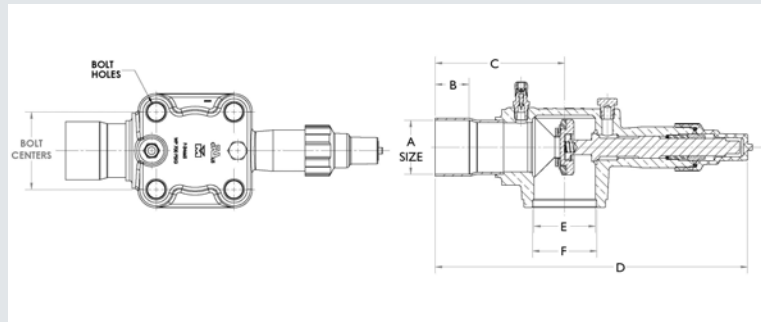




### Features:

- Design Pressure (DP) / Maximum abnormal pressure (MAP): 700 psig, 48 bar
- Continuous operating temperature (COT): -40°F/300°F, -40°C/149°C
- Contact factory or visit website for compatibility with CFC, HCFC, HFC and HFO refrigerants and oils
- UL/cUL Recognized, Conforms to Pressure Equipment Directive 2014/68/EU
- 100% tested
- Asbestos-free valve packing
- Valve openings designed for maximum flow and minimum pressure drop



Valve Part Number	Valve Kit Part Number	A		B		C		D		E		F		Bolt Centers		Bolt Hole Diameter		Pipe Plug Size	Access Port	Seat Position	Valve Wt		Valve Kit Wt	
		in	mm	in	mm	in	mm	in	mm	in	mm	in	mm	in	mm	in	mm	in	in		lb	kg	lb	kg
A 17495		2 1/8	54	1.34	34	5.09	129	12.31	313	2.42	61	2.53	64	3.06	78	.69	17	1/4	0.25	Mid	11.84	5.37		

### Torque To Seal

Front Seat		Back Seat		Pack Gland		Pipe Plug	Plastic Cap	Brass Cap	Steel Cap		
(ft-lb)	(N-m):	(ft-lb)	(N-m):	(ft-lb)	(N-m):			(ft-lb)	(N-m)	(ft-lb)	(N-m)
45 - 65	61 - 88	45 - 65	61 - 88	35 - 45		240 - 300	Hand Tight				

### References

Valve Part Number	Valve Kit Part Number*	Body Number	Standard Seal Cap			Replacement Seal Cap			Replacement Kit**	Manufacturer Reference to Valve Kit Part Number	
			Material	Seal Cap *****	Kit	Plastic*****	Brass****	Steel		Carrier	Copeland
A 17495		F 34665	Plastic	N 02849	A 17668	A 17668	A 15099	A 17422			

\*\* Replacement kit contains components to pack s

\*\*\*\* Seal cap and o-ring kit

\*\*\*\*\* O-ring included