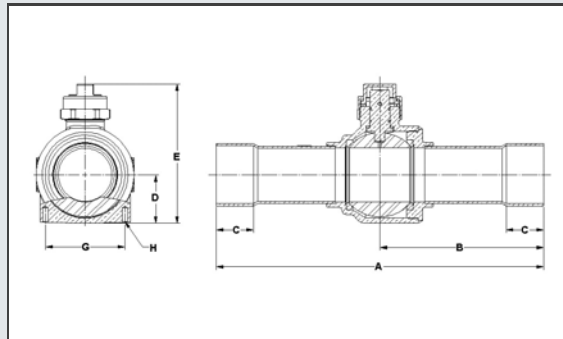




Features:

- Design Pressure (DP) / Maximum abnormal pressure (MAP): Up to 775 psig, 53 bar
- Continuous operating temperature (COT): -40°F/300°F, -40°C/149°C
- Contact factory or visit website for compatibility with CFC, HCFC, HFC and HFO refrigerants and oils
- Full port construction to match line size ID
- Internally equalized ball design
- Rupture-proof encapsulated stem
- Bi-directional flow
- MCM Seal Technology
- UL/cUL Listed, Conforms to Pressure Equipment Directive 2014/68/EU



Part Number	Size		Cv	Kv	A		B		C Min		D		E		G **		H **		Port (in)	MAP		Wt		Seal Cap Kit
	in	mm			in	mm	in	mm	in	mm	in	mm	in	mm	in	mm	in	mm		psi	bar	lb	kg	
AP17859	‡	1/4	6	1.0	1	5.50	140	2.98	76	0.31	8	0.54	14	2.23	57	0.87	22	M4 X 0.7	0.50	775	53	0.48	0.22	A 17842
AP17860C	‡	3/8	10	4.3	4	5.50	140	2.98	76	0.31	8	0.54	14	2.23	57	0.87	22	M4 X 0.7	0.50	775	53	0.48	0.22	A 17842
AP17861C	‡	1/2	13	6.2	5	6.35	161	3.41	87	0.38	10	0.54	14	2.23	57	0.87	22	M4 X 0.7	0.50	775	53	0.53	0.24	A 17842
AP17862C	‡	5/8	17	12.1	10	6.35	161	3.41	87	0.50	13	0.54	14	2.23	57	0.87	22	M4 X 0.7	0.50	775	53	0.50	0.23	A 17842
AP17863	‡	3/4	19	19.0	16	7.45	189	3.89	99	0.62	16	0.72	18	2.66	68	1.18	30	M4 X 0.7	0.75	775	53	0.88	0.40	A 17843
AP17864C	‡	7/8	22	27.5	24	7.45	189	3.89	99	0.75	19	0.72	18	2.66	68	1.18	30	M4 X 0.7	0.75	775	53	0.93	0.42	A 17843
AP17865	‡	1 1/8	29	54.0	47	8.42	214	4.21	107	0.91	23	1.00	25	3.15	80	1.50	38	M4 X 0.7	1.00	775	53	1.61	0.73	A 17843
A 17866		1 3/8	35	89.1	77	10.00	254	5.00	127	0.97	25	1.17	30	3.72	94	1.89	48	M6 X 1.0	1.25	775	53	2.59	1.17	A 17844
A 17867		1 5/8	41	114.0	99	11.00	279	5.50	140	1.09	28	1.38	35	4.12	105	2.17	55	M6 X 1.0	1.50	775	53	3.64	1.65	A 17844
A 17868		2 1/8	54	244.0	211	12.00	305	6.09	155	1.34	34	1.86	47	5.32	135	2.91	74	M6 X 1.0	2.00	700	48	8.02	3.64	A 17845
A 17869		2 5/8	67	401.0	347	13.50	343	6.75	171	1.47	37	2.19	56	5.92	150				2.44	700	48	13.40	6.08	A 17845
A 17870		3 1/8	79	553.0	478	16.00	406	8.00	203	1.66	42	2.69	68	7.03	179				3.00	700	48	21.31	9.67	A 17846
A 17871	*	2 5/8	67	230.0	199	12.00	305	6.00	152	1.47	37	1.79	45	5.14	131	2.91	74	M6 X 1.0	2.00	700	48	8.46	3.84	A 17845
A 17872	*	3 1/8	79	143.0	124	12.00	305	6.00	152	1.66	42	1.79	45	5.14	131	2.91	74	M6 X 1.0	2.00	700	48	9.12	4.13	A 17845
B 34909	***	3 5/8	92			15.70	399	6.50	165	1.91	49	2.69	68	7.03	179				3.00	700	48	19.91	9.03	A 17846
B 34910	***	4 1/8	105			15.70	399	7.20	183	2.16	55	2.69	68	7.03	179				3.00	700	48	25.32	11.48	A 17846

* Reduced Port

** Where Applicable

*** Consult Factory

‡ Standard product offering includes drilled/ tapped feature

Prefix AP Drilled/ tapped